





 **EUROPEAN PATENT APPLICATION**

 Application number : **93300996.1**


 Int. Cl.⁵ : **G11B 7/125, G11B 7/00**


 Date of filing : **11.02.93**

 Priority : **14.02.92 JP 28457/92**

 Inventor : **Koike, Shigeaki Sony Corporation
7-35, Kitashinagawa 6-chome
Shinagawa-ken, Tokyo (JP)**


 Date of publication of application :
18.08.93 Bulletin 93/33

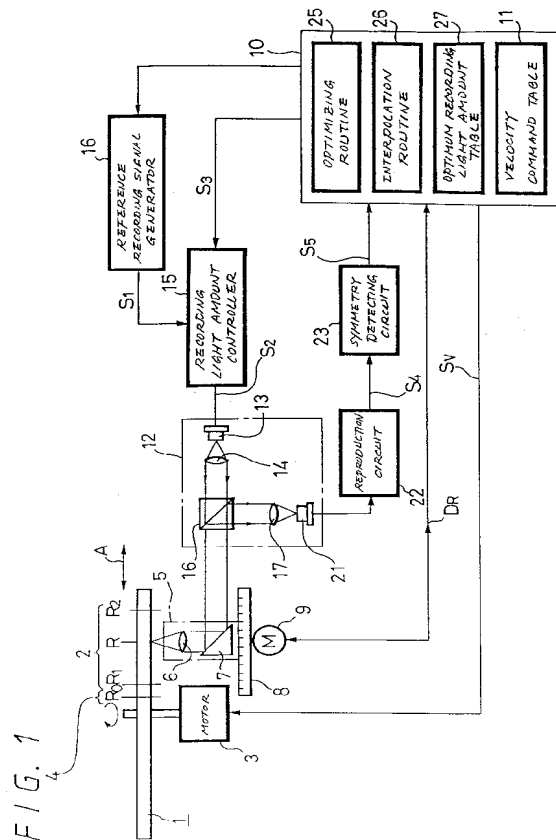
 Designated Contracting States :
DE FR GB

 Representative : **Nicholls, Michael John
J.A. Kemp & Co., 14, South Square, Gray's Inn
London WC1R 5LX (GB)**

 Applicant : **SONY CORPORATION
7-35, Kitashinagawa 6-chome Shinagawa-ku
Tokyo (JP)**

 **Recording and reproducing apparatus for optical disk.**

 To determine the optimum recording light amounts for all recordable region of each optical disk in a relatively short time information is recorded on the try-to-write region 4 on the inside of the innermost periphery of the rewritable region 2 of the optical disk 1 while rotating it at linear velocities equal to those at least at two positions (radii R1, R2) in the radius direction A within the rewritable region 2, and the optimum recording light amounts are measured. Then, the optimum recording light amounts for all velocities in the rewritable region 2 are determined by an interpolation or extrapolation processing 26 of the measured optimum recording light amounts at the two velocities.



This invention relates to an apparatus and method for recording optical disks, both those suitable for recording and reproduction, for example, reversible-type optical disks capable of being repetitively recorded and reproduced, or write-once type disks.

When recording such disks, pits (or marks) are formed on a repetitively recordable and reproducible optical disk, or a write-once read-many type optical disk, and the amount of laser light to be irradiated on the optical disk, the amount of recording light, has to be maintained to be a proper value. This is because the recorded pits are required to have a uniform shape and a high density in order to reduce error upon reproduction and improve the recording density.

According to the prior art, in order to set the amount of recording light at a proper value, a "try-to-write" region is prepared on a track within a predetermined user's recordable region of the optical disk, and the user confirms the proper amount of recording light within this try-to-write region.

When information is recorded at the confirmed proper amount of recording light, the recording density of a recorded region near the try-to-write region can be improved since a relatively small error occurs upon reproduction.

However, when a video signal is recorded over the whole disk, i.e. the innermost to outermost periphery of the user's recordable region of the optical disk, the amount of recording light, even if it is set to be a proper value within the try-to-write region as mentioned above, diverges from the proper amount at other tracks away from that region because the linear velocity of the recording medium (which depends on the radius of the track) is considerably different from that within the try-to-write region. This limits the high-density recordability.

Increasing the amount of testing, however tends to occupy more time and thus be inefficient. Also, although it has been proposed to provide a test area in every sector and test at every radius (e.g. in computers WD2000 and WD3000) this reduces the amount of available storage area and so is unsuitable for video disks where more data is generally stored than on a computer disk.

This invention, in view of this problem, is to provide an apparatus and method for recording optical disks which are capable of determining the optimum recording conditions of the user's recordable region of individual optical disks in a relatively short time.

According to this invention, there is provided optical disk recording apparatus comprising:

- a disk drive for rotating an optical disk;
- a light source for recording data on the optical disk;
- recording light amount control means for controlling the amount of light emitted by the light source to record the data;
- reproduction means for reproducing the data

to produce a reproduced signal;

system control means for controlling said light source and light amount control means to record test data in a predetermined test region of the disk and the reproduction means to reproduce it and for setting the recording light amount to be used in accordance with the reproduced test data;

characterized in that the system control means is adapted to control the disk drive to rotate the disk during recording of first and second test data at respective first and second different angular velocities such that the linear velocities of the test region at said first and second angular velocities are equal to the linear velocities of two different radial positions of the disk during information recording, and to determine respective first and second optimized recording light amounts in accordance with the reproduced first and second test data; and in that the system control means comprises computing means for computing light recording amounts for all other desired radial positions on the disk from the first and second optimized recording light amounts.

There is also provided an optical disk recording method comprising the steps of:-

- recording test data on a test region of an optical disk using a light source;
- reproducing the test data; and
- setting the recording light amount of the light source according to the test data; characterized by:
 - rotating the disk during recording of first and second test data at respective first and second different angular velocities such that the linear velocities of the test region undergoing recording are equal to the linear velocities of two different radial positions of the disk during information recording;
 - determining respective first and second optimized recording light amounts in accordance with the reproduced first and second test data; and
 - computing light recording amounts for all other desired radial positions on the disk from the first and second optimized recording light amounts.

Thus with the invention, information may be recorded on the try-to-write region on the inside of the innermost periphery of the user's recordable region of the optical disk while rotating it at the first and second linear velocities equal to those at two points in the radius direction of the user's recordable region and with first and second amounts of recording laser beam under the control of the recording light amount control means. Then, the first and second recording light amounts optimized at the first and second linear velocities in the try-to-write region of the optical disk can be obtained by the reproduction means 22, comparing means 23 and optimizing means 25. Also, the values of the optimum recording light amounts at all points in the radius direction in the recordable region are determined by computing means on the basis of the optimized first and second recording light

amounts. Therefore, the optimum recording light amount for all points in the user's recordable region of each optical disk can be determined in a relatively short time.

The computing means may determine the other recording light amounts by interpolation and/or extrapolation based on a function selected according to the properties of the disk, e.g. selected to model the properties of tested disks.

The invention is applicable to write-once disks as well as rewritable disks.

The invention will be further described by way of example only with reference to the accompanying drawings, in which:-

Figure 1 is a diagram of the construction of the optical disk recording and reproducing apparatus of one embodiment of the optical recording apparatus of the invention;

Figure 2 is a plan view of the optical disk of the optical disk recording and reproducing apparatus shown in Fig 1;

Figure 3 is a diagram showing the contents of the velocity command table stored in the system controller of the optical disk recording and reproducing apparatus shown in Fig. 1;

Figure 4 is a waveform diagram to which reference is made in explaining the operation of the optical disk recording and reproducing apparatus shown in Fig 1;

Figure 5 is a flowchart to which reference is made in explaining the operation of the optical disk recording and reproducing apparatus shown in Fig 1; and

Figure 6 is a graph showing the optimum recording light amount characteristic obtained by the optical recording and reproducing apparatus shown in Figure 1.

An illustrative embodiment of the optical disk recording apparatus to which the optical disk recording method of the invention is applied will now be described with reference to the drawings.

Figure 1 is a schematic diagram of an embodiment of the optical disk recording apparatus of the invention. Figure 2 is a plan view of an optical disk to be recorded by this apparatus.

Referring to Figs 1 and 2, there is shown an optical disk 1. This optical disk 1 has a rewritable region 2 as the user's recordable region. This rewritable region 2 is an annular region extending from radius R_1 to R_2 . A try-to-write region 4 is formed on the inside of the innermost periphery of the rewritable region 2. This try-to-write region 4 is an annular region extending from radius R_0 to R_1 . The type of optical disk 1 is not limited to the rewritable optical disk, but may be a write-once type optical disk.

An optical pickup 5 is located to face the disk surface of this optical disk 1 in order to write pits or read the recorded pits. The optical pickup 5 has an object

lens 6 and a mirror 7, and it is moved along a guide rail 8 in the radius direction A of the optical disk 1 by a feeding mechanism that is formed of a feeding motor 9 and so on.

The position of the optical pickup 5 in the radius direction A, or the radius R is read as radius data D_R by an encoder connected to the rotating shaft of a spindle motor 3. The radius data is supplied to a system controller 10. The system controller 10 responds to the radius D_R from the encoder to control the feeding mechanism so that the optical pickup 1 can be moved to a predetermined radius R specified by the radius-position specifying data which the system controller 10 itself generates.

This optical disk 1 is rotated at a constant angular velocity (CAV) by the spindle motor 3 under the control of a speed command signal S_v from the system controller 10. Therefore, since the linear velocity LV at a predetermined radius R is determined by the product of the radius R and the angular velocity, it is proportional to the radius R. Fig. 3 shows the contents of a velocity command table 11 stored in the system controller 10 in association with this velocity command signal S_v .

As shown in Fig. 1, a fixed optical system 12 is optically connected to the pickup 5 that is moved in the radius direction A. The fixed optical system 12 has a laser diode 13 which is controlled to emit a laser beam according to the optical modulation system. The laser diode 13 is connected to a recording light amount control circuit 15 as the means for controlling the amount of recording light. This recording light amount control circuit 15 supplies a recording signal S_2 (see Fig. 4B) of a modulating current signal to the laser diode 13. The amplitude of the recording signal S_2 is determined by a control signal S_3 that is fed from the system controller 10. The on-period and off-period of the recording signal S_2 are determined by a binary reference recording signal S_1 (see Fig 4A) that is fed from a reference recording signal generating circuit 16.

The laser diode 13 emits a laser beam of intensity proportional to the recording signal S_2 that is fed from the recording light amount control circuit 15. The laser beam emitted from the laser diode 13 is collimated by a collimator lens 14, and then passed through a beam splitter 16 to a mirror 7, from which the laser beam is reflected at right angles. The collimated laser beam reflected from the mirror 7 is again converged by an object lens 6 and irradiated on the optical disk 1. Thus, the optical disk 1 is recorded in cooperation with a magnetic circuit not shown to form recorded pits (magnetized pits) thereon.

On the other hand, the laser beam for reading is irradiated on the optical disk 1 and reflected from the optical disk 1 with the recorded pits. The reflected laser beam is passed through the object lens 6, the mirror 7, the beam splitter 16 and a condenser 17 and in-

cident on a photodiode 21.

The output signal from the photodiode 21 is supplied to a reproduction circuit 22. When the output signal from the photodiode 21 is supplied to the reproduction circuit 22, the information recorded on the optical disk 1 is supplied therefrom as a reproduced signal S_4 (S_{41} through S_{43}) (see Figs 4C through 4E) to a symmetry detecting circuit 23 as comparing means.

The symmetry detecting circuit 23 supplies a duty-ratio data S_5 according to the reproduced signal S_4 to the system controller 10.

The system controller 10 analyzes the duty-ratio data S_5 by an optimizing routine 25 as optimizing means which will be described in detail later. The analyzed data as the control signal S_3 is supplied to the recording light amount control circuit 15. The control signal S_3 can be optimized by repetitive execution of this optimizing routine 25.

The optimization of the control signal S_3 , or the optimization of the amount P of emitted light from the laser diode 13 is performed within the try-to-write region 4 of the optical disk 1. That is, in the try-to-write region 4, the control signal S_3 is optimized for, for example, the linear velocity LV_1 at the innermost periphery, or radius R_1 of the rewritable region 2 and for the linear velocity LV_2 at the outermost periphery, or radius R_2 . The optimization for all positions in the radius direction within the rewritable region 2 is performed by the interpolation processing such as the linear interpolation according to an interpolation routine 26 or a predetermined functional interpolation.

The predetermined function should be selected to be, for example, a function exhibiting the average characteristic of the characteristics (hereinafter referred to as the optimum recording light amount characteristics, if necessary) of the radius vs. optimum control signal S_3 (corresponding to the optimum recording light amount) which are measured for CAV at all points in the radius direction A in reference tests, e.g. in which a plurality of optical disks 1 are rotated at a constant angular velocity (CAV). The function for interpolation may be function proportional to a half power of the linear velocity LV.

Thus when the optimum recording light amount is determined by two linear velocities at two positions in the radius direction within the rewritable region 2, the rewritable region between the radii corresponding to the two linear velocities can be determined by interpolation processing, and the rewritable region other than that between the radii corresponding to the two linear velocities can be determined by extrapolation.

The linear interpolation determines the optimum recording light amount from, for example, the linear velocity LV_1 at the innermost radius R_1 of the rewritable region 2 and the linear velocity LV_2 at the outermost radius R_2 . The linear interpolation may determine the optimum recording light amount from the lin-

ear velocity LV_3 at a radius R_3 ($R_3 = R_1 (R_2 - R_1)/2$) between the radii, R_1 and R_2 and the other two linear velocities, or the three linear velocities LV_1 , LV_2 and LV_3 . This linear interpolation using three linear velocities can provide a much higher precision than that using two linear velocities.

The characteristics of the linear velocity LV vs. optimum control signal S_3 , or the optimum recording light amount characteristics determined by the interpolation routine 26 are stored in an optimum recording light amount table 27.

Therefore, the optical disk 1 can be recorded over all the rewritable region 2 by the optimum amount of recording light according to this optimum recording light amount table 27.

The operation of this embodiment, particularly the optimizing routine 25 will be described in detail with reference to the flowchart of Fig. 5.

After detecting that the optical disk 1 has been loaded on the shaft of the spindle motor 3, the system controller 10 controls the feeding motor 9 to move the optical pickup 5 in the radius direction A toward the centre and to position it at a point within the try-to-write region 4, for example, at the radius R_0 (step S101). The radius data $D_R = R_0$ can be confirmed by the output data from the encoder of the feeding motor 9.

Then, the system controller 10 refers to the velocity command table 11 (see fig. 3) and supplies the velocity control signal Sv to the spindle motor 3, thereby controlling the motor to rotate the disk so that the linear velocity at the radius R_0 equals the recording linear velocity LV_1 for the radius R_1 (step S102). The linear velocity, LV_{01} at radius R_0 can be made coincident with the linear velocity LV_1 at radius R_1 by supplying the velocity signal Sv which satisfies the relation of $LV_{01} = (R_1/R_0) LV_1$.

The system controller 10 then sets the control signal S_3 to a certain value and supplies it to the recording light amount control circuit 15. In this case, the reference recording signal S_1 shown in Fig 4A is supplied from the reference recording signal generating circuit 16 to the recording light amount control circuit 15. Thus, the recording signal S_2 of which the amplitude is determined by the control signal S_3 as shown in Fig 4B is supplied to the laser diode 13. The laser beam modulated by the recording signal S_2 is irradiated from the laser diode 13 on the optical disk 1, recording pits thereon. Then, the reading laser beam is irradiated on the optical disk 1, and the reflected laser beam from the recorded pits are read by the photodiode 21. The reproduction circuit 22 produces the reproduced signal S_4 (step S103). Examples of reproduced signals S_4 for different recording light amounts are shown in Fig 4C, D and E. (Although for simplicity the recording signals and optimum reproduced signal are shown as symmetrical, in practice they may not be symmetrical but this can be allowed for in the subsequent detection circuitry).

The reproduced signal S_4 is supplied to the symmetry detecting circuit 23. The symmetry detecting circuit 23 produces, for example, the duty ratio data S_5 ($S_5 = B/A$) of the period of the reference level V_R to that of the maximum level V_{MAX} of the reproduced signal S_4 , in which case the reference level is 1/2 the maximum level. The system controller 10 reads in this duty ratio S_5 ($S_5 = B/A$) (step S104), and decides whether the read-in duty ratio data S_5 ($S_5 = B/A$) is 50% (or whatever is optimum) (step S105).

If it is not 50% (or optimum) at step 105, decision is further made of whether it is above 50% (step 106).

In the case of signal S_{41} where the recording light amount was too large, since the reproduced signal S_4 is the reproduced signal S_{41} shown in Fig. 4C, the ratio is 50% or below. In other words, the recording laser beam based on the recording signal S_2 and which is generated from the laser diode 13 is found to be too intensive. Thus, the control signal S_3 is reduced in its intensity by a predetermined amount and that intensity-reduced control signal S_3 is fed to the recording light amount control circuit 15 so that the control signal S_2 is reduced by a predetermined amount (step S107).

If the reproduced signal S_4 produced from the reproduction circuit 22 is a reproduced signal S_{42} as shown in Fig. 4E, the duty ratio data S_5 ($S_5 = B/A$) fed to the system controller from the symmetry detecting circuit 23 is 50% or above. In this case, the control signal S_3 is increased by a predetermined amount, and the intensity-increased control signal S_3 is supplied to the recording light amount control circuit 15, thus increasing the recording signal S_2 by a predetermined amount (step S108).

When the duty ratio data S_5 ($S_5 = B/A$) reaches 50% after repetition of steps S103 through step S108, the reproduction circuit 22 produces the reproduced signal S_4 as a reproduced signal S_{42} which is, as shown in Fig. 4D, substantially symmetric with respect to the intersection, F between the reference level V_R and the reproduced signal S_4 . When the recorded information is reproduced on the basis of the reproduced signal S_4 of which the duty ratio data S_5 ($S_5 = B/A$) is 50%, it has the minimum loss of data. In this case, little error occurs, thus improving the reliability.

In this way, the decision at step S105 is "yes", and the value of the optimum control signal S_3 is determined under the condition that the linear velocity at radius R_0 within the try-to-write region 4 is equal to the linear velocity LV_1 at radius R_1 , or $LV_{01} = (R_1/R_0) LV_0 = LV_1$. This value is also stored in memory means, though not shown, within the system controller 10 (step S109).

Similarly, the value of the optimum control signal S_3 is determined under the condition that the linear velocity at radius R_0 is equal to the recording linear velocity LV_2 for radius R_2 , or $LV_{02} = (R_2/R_0) LV_0 = LV_2$.

This value is also stored in memory means, though not shown, within the system controller 10.

Then, in use, the system controller 10 can determine the values of the optimum control signal S_3 for all linear velocities LV (i.e. all radii) in the rewritable region 2 by interpolation processing according to the interpolation routine 26.

Fig 6 shows a curve of the optimum control signal S_3 determined by this interpolation processing, or an optimum recording light amount characteristic 30. This shows a functional interpolation between the optimum recording light amount P1 associated with the optimum control signal S_3 determined at the linear velocity LV_{01} corresponding to linear velocity LV_1 and the optimum recording light amount P2 associated with the optimum control signal S_3 determined at the linear velocity LV_{02} corresponding to linear velocity LV_2 . A curve may be more suitable than straight linear interpolation for certain types of disk, e.g. MO disks with low melting and Curie temperature.

Thus, according to this embodiment, when information is recorded on the try-to-write region 4 on the inside of the innermost periphery of the rewritable region 2 of the optical disk 1 in order to determine the optimum recording light amount in the rewritable region 2, the optical disk 1 is rotated at linear velocities LV_{01} , LV_{02} corresponding to the linear velocities LV_1 , LV_2 at least at two radii, for example, R_1 , R_2 of the rewritable region 2 in the radius direction of the optical disk 1. Under this condition, the optimum recording light amounts P_1 and P_2 are measured, and the values of the optimum recording light amount at all points within the rewritable region 2 of the optical disk 1 are determined by the interpolation or extrapolation processing according to the interpolation routine 26. Therefore, the values of the optimum recording light amount for all linear velocities LV in the rewritable region 2 of each optical disk 1 can be determined in a relatively short time.

This invention is not limited to this embodiment, but of course may take other various constructions without departing from the scope of the invention as defined by the claims.

Claims

- Optical disk recording apparatus comprising:
 - a disk drive (3) for rotating an optical disk (2);
 - a light source (13) for recording data on the optical disk (1);
 - recording light amount control means (15) for controlling the amount of light emitted by the light source (13) to record the data;
 - reproduction means (17 - 23) for reproducing the data to produce a reproduced signal (54);
 - system control means (10) for controlling

said light source (13) and light amount control means (15) to record test data in a predetermined test region (R_0) of the disk (1) and the reproduction means (17 - 23) to reproduce it and for setting the recording light amount to be used in accordance with the reproduced test data; characterized in that the system control means (10) is adapted to control the disk drive (3) to rotate the disk during recording of first and second test data at respective first and second different angular velocities such that the linear velocities of the test region (R_0) at said first and second angular velocities are equal to the linear velocities of two different radial positions (R_1, R_2) of the disk during information recording, and to determine respective first and second optimized recording light amounts in accordance with the reproduced first and second test data; and in that the system control means (10) comprises computing means for computing light recording amounts for all other desired radial positions on the disk (1) from the first and second optimized recording light amounts.

2. An optical disk recording method comprising the steps of:-
 - recording test data on a test region (R_0) of an optical disk using a light source;
 - reproducing the test data; and
 - setting the recording light amount of the light source according to the test data; characterized by:
 - rotating the disk during recording of first and second test data at respective first and second different angular velocities such that the linear velocities of the test region (R_0) undergoing recording are equal to the linear velocities of two different radial positions (R_1, R_2) of the disk during information recording;
 - determining respective first and second optimized recording light amounts in accordance with the reproduced first and second test data; and
 - computing light recording amounts for all other desired radial positions on the disk from the first and second optimized recording light amounts.
3. Apparatus according to claim 1 or a method according to claim 2 wherein the said linear velocities of two different radial positions correspond to the linear velocities of the portions of the disk (1) substantially at the inner and outer peripheries (R_1, R_2) of the user's recordable region when the disk (1) is rotated at the angular velocity for information recording.
4. Apparatus according to claim 1, or 3 when de-

pendent therefrom, or a method according to claim 2, or 3 when dependent therefrom, wherein the optimized recording light amounts are determined by a recursive process of recording the test data, reproducing it and adjusting the recording light amount and repeating as necessary.

5. Apparatus according to claim 1, or 3 or 4 when dependent therefrom, or a method according to claim 2, or 3 or 4 when dependent therefrom, wherein the disk (1) is rotated at the first angular velocity to determine the optimal first recording light amount and then rotated at the second angular velocity to determine the optimal second recording light amount.
6. Apparatus according to claim 1, or 3, 4 or 5 when dependent therefrom, or a method according to claim 2, or 3, 4 or 5 when dependent therefrom, wherein test data is also recorded while rotating the disk (1) at a third angular velocity to determine a third recording light amount corresponding to a third radial position of the disk.
7. Apparatus according to claim 1, or 3 - 6 when dependent therefrom, or a method according to claim 2, or 3 - 6 when dependent therefrom, wherein the light recording amounts for all other desired radial positions are computed by interpolation or extrapolation from the determined recording light amounts.
8. An apparatus or method according to claim 7 wherein the interpolation or extrapolation is linear.
9. An apparatus or method according to claim 7 wherein the interpolation or extrapolation is based on a function of the half power of the linear velocity of the recording region of the disk.
10. An apparatus or method according to any one of the preceding claims wherein the test data comprises a square wave (S_1) and the optimization of the recording light amount comprises monitoring the duty ratio of time periods (A,B) above and below a reference level in the reproduced signal (S_4).

FIG. 1

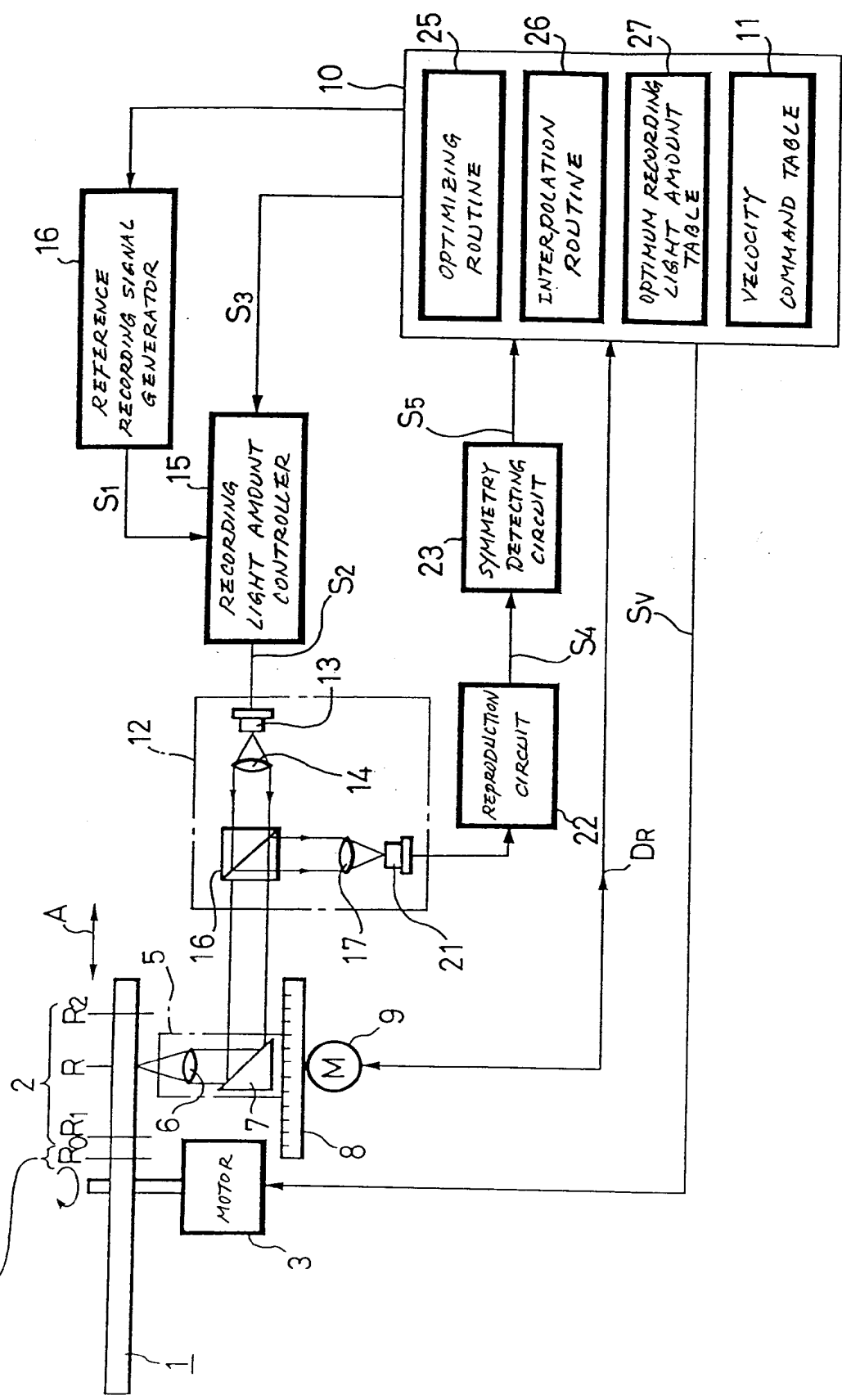


FIG. 2

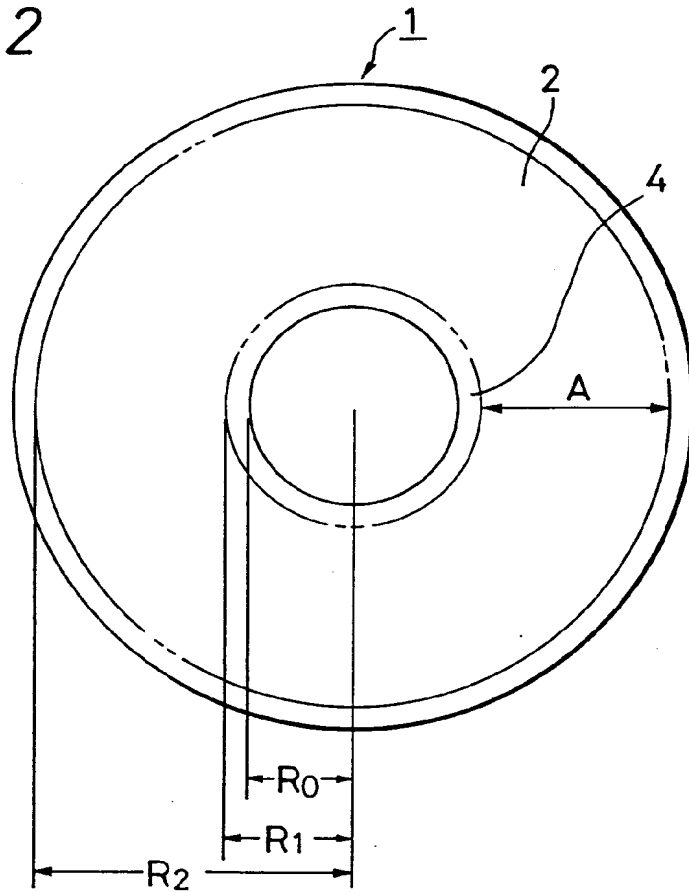
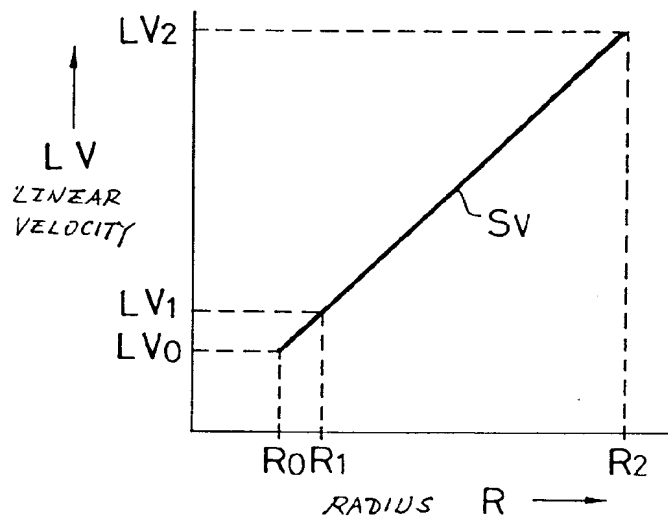


FIG. 3

Content of Velocity Command Table



Waveforms of Recording Signal and Reproduced Signal

FIG. 4A

Reference Recording Signal

FIG. 4B

Recording Signal

FIG. 4C

Reproduced Signal
(Large Light Amount)

FIG. 4D

Reproduced Signal
(Optimum Light Amount)

FIG. 4E

Reproduced Signal
(Small Light Amount)

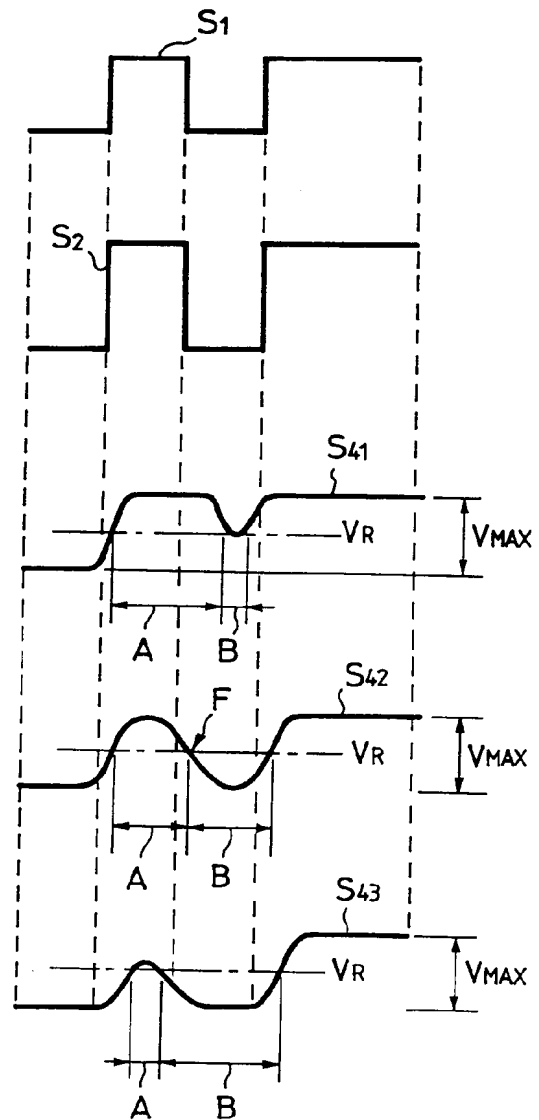


FIG. 5

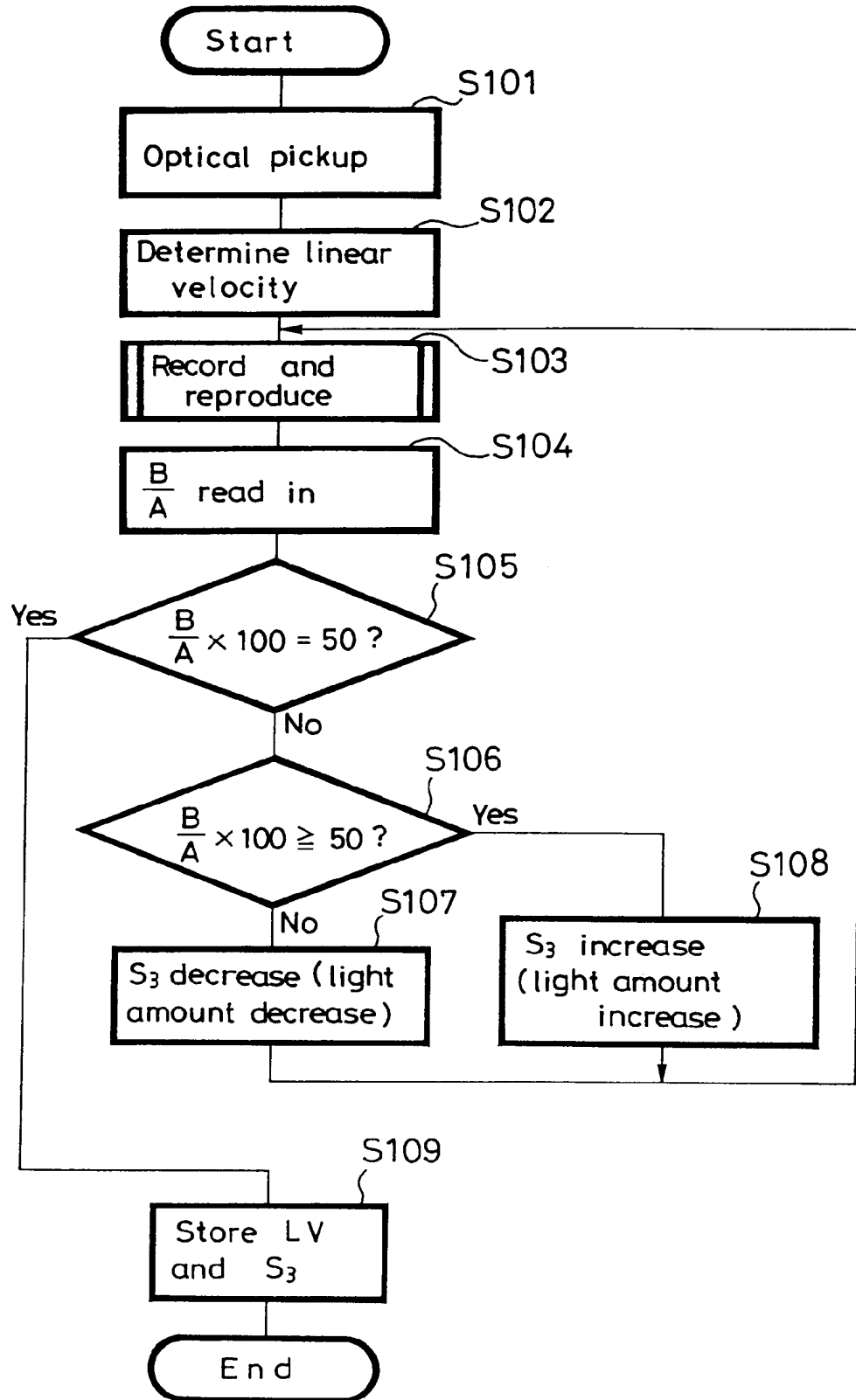
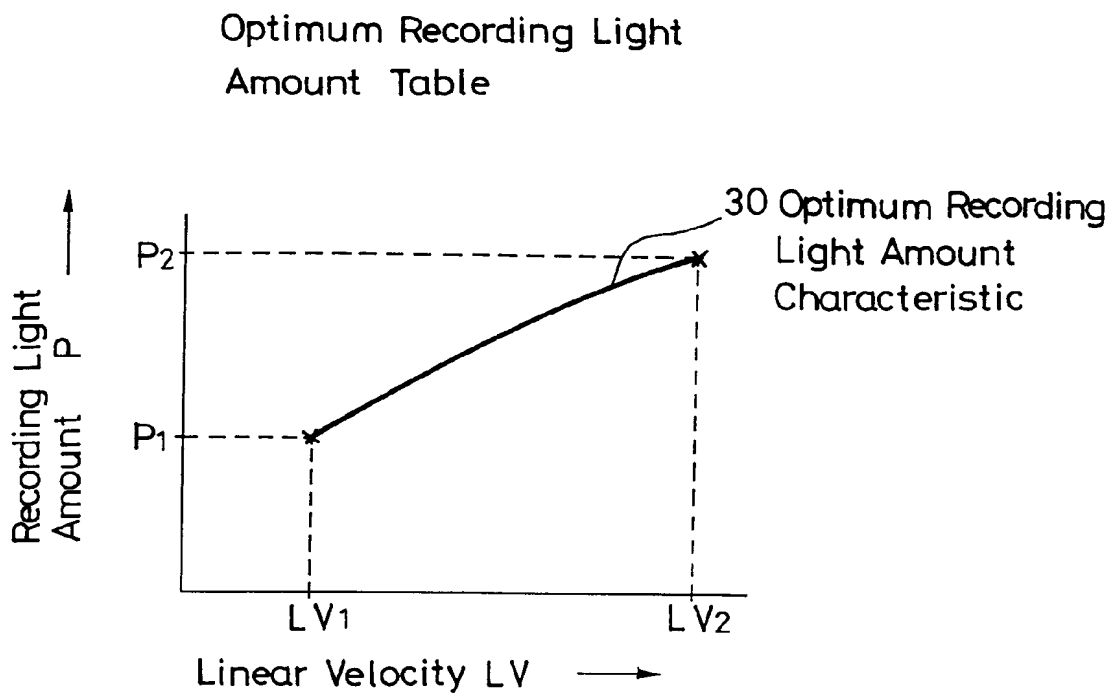


FIG. 6





European Patent
Office

EUROPEAN SEARCH REPORT

Application Number

EP 93 30 0996

DOCUMENTS CONSIDERED TO BE RELEVANT			
Category	Citation of document with indication, where appropriate, of relevant passages	Relevant to claim	CLASSIFICATION OF THE APPLICATION (Int. Cl.5)
X	EP-A-0 393 001 (IBM CORP) * the whole document * ---	1-8, 10	G11B7/125 G11B7/00
X	EP-A-0 126 682 (THOMSON-CSF) * abstract * -----	1-5, 7, 8, 10	
			TECHNICAL FIELDS SEARCHED (Int. Cl.5)
			G11B
The present search report has been drawn up for all claims			
Place of search THE HAGUE		Date of completion of the search 28 MAY 1993	Examiner ANNIBAL P.
CATEGORY OF CITED DOCUMENTS X : particularly relevant if taken alone Y : particularly relevant if combined with another document of the same category A : technological background O : non-written disclosure P : intermediate document		T : theory or principle underlying the invention E : earlier patent document, but published on, or after the filing date D : document cited in the application I : document cited for other reasons & : member of the same patent family, corresponding document	

EPO FORM 501 03.82 (P0401)